



HIGH-VISIBILITY HANDBOOK



A KLEIN TOOLS COMPANY

SOLUTIONS, SUPPORT AND OUR COMPLETE HI-VIS LINE-UP

BE SEEN. FEEL HEARD.

WITH A RESPONSIVE, FULL-SERVICE HI-VIS PROGRAM THAT WORKS FOR YOU.

Any knucklehead can slap some silver tape on neon mesh and call it a day. But the truth is, “worker safety” and “lowest bidder” go together as well as orange juice and toothpaste. Or nuts and gum. Or reasonable debate and Thanksgiving with Uncle Larry the conspiracy theorist (turns out proving the world ISN’T ruled by an elite group of reptiles secretly led by Justin Bieber is harder than you think).

Anyway, on the flip side of all that is a responsive, full-service program that works for you. An extension of our decades’ long obsession with helping Make the Workplace a Betterplace™. Whatever it takes. Sure, that means the most Tenacious Work Gear® on the planet. But it also means a deep, fine-print level understanding of standards & risk, matched with an eagerness to help solve your unique end-to-end challenges—from spec to supply chain.

So whether it’s considering your crew’s compliance down to the last square inch of fabric (hey, it’s a fine line between nerdery and tenacity) or partnering to create just the right solution to reflect the realities of your worksite, we’re here—and we’ve got your be-seen back.

CLICK TO VIEW FULL GLOWEAR LINE >>>



8283BK

WHY ERGODYNE Pg. 4-5

YOUR PARTNER IN SHINE SINCE 1983

Activate a hi-vis partner who knows, cares and dares to put your success over all else.

INNOVATION BY COLLABORATION Pg. 6-7

THE BRIGHTEST IDEAS IN HV START WITH YOU

Go beyond “being seen” with hi-vis gear built in collaboration with folks like you.

HI-VIS STANDARDS Pg. 8-9

EASY AS 1-2-3 (E-O-R-P)

HI-VIS SELECTION

WE’VE GOT YOUR BE-SEEN BACK

Any job. Any budget. Whatever your hi-vis needs, we’ve got you covered.

CLASS 1 & NON CERT	Pgs. 10-11
CLASS 2 VESTS	Pgs. 12-15
CLASS 3 VESTS	Pgs. 18-19
FR VESTS	Pgs. 20-21
PUBIC SAFETY VESTS	Pgs. 22-23
SHIRTS & SWEATSHIRTS	Pgs. 24-25
JACKETS	Pgs. 26-27
PANTS, BIBS & GAITERS	Pgs. 28-29
HEADWEAR & ACCS.	Pgs. 30-31
RAINWEAR	Pgs. 32-33

SERVICE LIFE Pg. 16

YOUR POINT OF PRIDE IS MISSING THE POINT

CUSTOM LOGO PROGRAM Pg. 17

MAKE YOUR MARK

Mmm... smells like team spirit. Submit your design or use one of our ready-made templates.

TENACIOUS WORK GEAR Pg. 34-35

BUT WAIT! THERE’S MORE!

YOUR PARTNER IN SHINE

Did you know all Class 2, Type R garments require 201 square inches of reflective? Or that there isn't an orange flame-resistant fabric in existence that's ANSI 107-approved?

Gold star if you did. But if not, we're here to translate the tough stuff to make sure every crew you serve is always compliantly up to code with solutions that meet the demands that matter most. Yours.

“From helping maintain compliance and working closely with us to develop the best possible solutions to fit our very specific needs. Ergodyne's hi-vis program is second to none.”

- Leading Airline Safety Director

WHY US? BECAUSE WORKER SAFETY IS NOT A COMMODITY

In a world where dayglow grifters and bottom-dollar bidders would lead you to believe it's all the same, we're out to prove that saving a few dimes on the front end isn't worth the inevitable bite in the back end.



INNOVATION

Why stop at “being seen” when you can turn this staple of personal protective equipment into personal *productivity* equipment? Through far-out performance fabrics and above-and-beyond design features, we're helping create crews of shiny happy people with mindfully crafted, high-quality gear.



COLLABORATION

From hi-vis development and testing to risk assessment and identifying compliance gaps in your existing hi-vis program, everything we do is driven by a commitment to deeply knowing what you and your crew are up against day after day.

EDUCATION

If you find the subtleties of hi-vis standards easy to miss, no worries. You're not the only one. In fact, we've helped some of the biggest organizations in the world get up to code with a deep-seated knowledge built over 20+ years on the ISEA/ANSI 107 Hi-Vis Product Group Committee (the group that helps inform, shape and revise the hi-vis standard).



THE BRIGHTEST IDEAS IN HI-VIS START WITH YOU

When it comes to churning out space-age hi-vis that surpasses everything else on this brilliant blue planet, we can't take all the credit. Admittedly, our brightest ideas come from you.



**AMAZING VEST
5 STARS (MORE IF POSSIBLE)**

"The vest is 100% comfortable. I love how breathable it is. The design is really sleek and not corny like a lot of vests I've had in the past."

- Kyle, Ergodyne.com Reviewer

INNOVATION BY COLLABORATION // THE BRIGHTEST IDEAS IN HI-VIS START WITH YOU

8231TV TETHER VEST,
DESIGNED WITH
WORKER FEEDBACK

INNOVATION BY COLLABORATION

The obvious safety benefit to wearing high-visibility clothing is right in the name. But then what? We dare to ask, you indulge us with the answers. The results? Everything from convenient considerations that turn a tried-and-true safety staple into a mobile workstation to mindful designs that tackle extreme temps or winter walks with the dog.



8231TV TOOL TETHERING VEST

Fusing ANSI 121 & ANSI 107 compliance into an all-in-one at-heights working wonder.



8261FRHL FR VEST

A dynamic duo of arc flash and flash fire protection for hi-vis compliance that's all bright, no burn.



8388 4-IN-1 HI-VIS JACKET

Man vs. Nature vs. Worksite. Only one exits this cage match unscathed. (Hint: It's the one wearing this impossibly versatile, shape-shifting uber-jacket).



8283BK LIGHTWEIGHT PERFORMANCE T-SHIRT

Like a workout shirt for the worksite with underarm vents, moisture-wicking treatment and UPF 30+ to keep crews safely seen and sweat-free when the heat rages on.



6668 HI-VIS COOLING VEST

You know what's the worst during a heat wave? Clothing. Going au naturale ain't an option, but limiting your layers with the coolest hi-vis vest around is.



8377EV THERMAL ENHANCED VISIBILITY JACKET

Maybe the gig doesn't require it. Or maybe you're out for an evening stroll and don't want to look like the safety dork you know you are deep down inside... when a little nighttime shine is needed, this is your play.



HI-VIS COMPLIANCE ISN'T ROCKET SCIENCE WHICH IS TOO BAD, BECAUSE THAT'D PROBABLY BE EASIER

Fear not, we're here to break down the standard in simple(r) terms.

ANSI/ISEA



ANSI 107 is the industry regulation that sets design requirements and performance testing criteria for all types and classes of high-visibility wear, particularly the amount of required fluorescent background material and reflective to keep workers safe and seen.



PURPOSE



Enhances daytime visibility by adding contrast against background environments

APPROVED FLUORESCENT COLORS



PURPOSE



Enhances low-light nighttime visibility by reflecting light back toward the original source

APPROVED REFLECTIVE

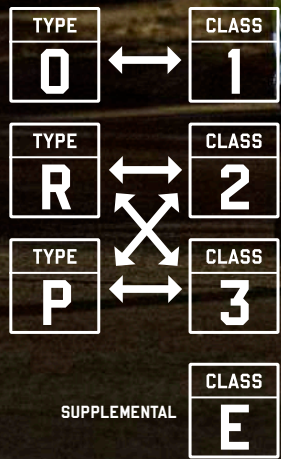


PURPOSE



Creates biomotion that signals awareness to the brain that it is looking at a human

REQUIREMENTS



ANSI 107 HI-VIS PERFORMANCE CLASSES & TYPES

DID YOU KNOW?
The second digit of our Glowear vest model # dictates what class the item is

8217BA = Class 2

CLASS	CLASS	CLASS	CLASS
1	2	3	E

PERFORMANCE CLASSES

The standard breaks out three types of garments with five performance classes indicating how much of the garment has to be hi-vis material.

CLASS 1
WHAT IT IS: Minimum hi-vis materials needed to differentiate wearer

CLASS 2
VISIBILITY: [Bar chart showing low visibility]

CLASS 3
REQUIREMENTS: [Icons for fluorescent background, reflective, reflective width]

CLASS E

FLUORESCENT BACKGROUND	REFLECTIVE	REFLECTIVE WIDTH
217 IN ²	155 IN ²	1 IN ²

CLASS 1
WHAT IT IS: Additional hi-vis materials for better definition of the human form

CLASS 2
VISIBILITY: [Bar chart showing medium visibility]

CLASS 3
REQUIREMENTS: [Icons for fluorescent background, reflective, reflective width]

CLASS E

FLUORESCENT BACKGROUND	REFLECTIVE	REFLECTIVE WIDTH
775 IN ²	201 IN ²	1.28 IN ²

CLASS 1
WHAT IT IS: Most hi-vis materials for best definition in complex backgrounds

CLASS 2
VISIBILITY: [Bar chart showing high visibility]

CLASS 3
REQUIREMENTS: [Icons for fluorescent background, reflective, reflective width]

CLASS E

FLUORESCENT BACKGROUND	REFLECTIVE	REFLECTIVE WIDTH
1240 IN ²	310 IN ²	2 IN ²

+ ADDITIONAL REQUIREMENTS: REFLECTIVE TAPE ON SLEEVES OR CLASS 2 TOP & CLASS E BOTTOMS

CLASS 1
WHAT IT IS: Garments that do not classify when worn alone, but achieve Class 3 when worn with other Class 2 or Class 3 garment

CLASS 2
VISIBILITY: [Bar chart showing high visibility]

CLASS 3
REQUIREMENTS: [Icons for fluorescent background, reflective, reflective width]

CLASS E

FLUORESCENT BACKGROUND	REFLECTIVE	REFLECTIVE WIDTH
465 IN ²	109 IN ²	2 IN ²

TYPE	TYPE	TYPE
O	R	P

TYPES

The standard breaks out the three types of garments into three types of worksite environments. Type O = Off-Road // Type R = Roadway // Type P = Public Safety

TYPE O
WHEN IT'S USED: For off-road, indoors or controlled environments, parking lots, festivals, extracting/refining oil & gas, warehouse/factories

TYPE R
APPLICATIONS: [Icons for Retail, Warehousing]

TYPE P
APPLICATIONS: [Icons for Construction, Transportation, Airlines]

COMPATIBLE WITH CLASS 1

TYPE O
WHEN IT'S USED: For environments with moving traffic or equipment traffic, minimum level of protection for workers exposed to roadway rights-of-way and temporary traffic control (TIC) zones

TYPE R
APPLICATIONS: [Icons for Construction, Transportation, Airlines]

TYPE P
APPLICATIONS: [Icons for Emergency Response, Police, Fire, EMS]

COMPATIBLE WITH CLASS 2, CLASS 3

TYPE O
WHEN IT'S USED: For environments with moving traffic or equipment traffic, emergency/incident response, police, fire, EMS only

TYPE R
APPLICATIONS: [Icons for Emergency Response, Police, Fire, EMS]

TYPE P
APPLICATIONS: [Icons for Emergency Response, Police, Fire, EMS]

COMPATIBLE WITH CLASS 2, CLASS 3

GLOWEAR® HI-VIS:

CLASS 1 & NON-CERT CATEGORY

Even if you don't have heavy construction hanging over your head or a hard hat job that requires it, GloWear's got your be-seen back. Sure, some of these safety vests are officially labeled non-compliant, but we guarantee they'll reflect well on your innate sense to avoid catastrophe and put safety first. From far-out fabrics and the latest reflective technology to 5-point breakaway and hook & loop closures—nobody brings brighter ideas to visibility than GloWear.



8140BA



8020HL



8020HL
VEST, NON-CERTIFIED, HOOK & LOOP, STANDARD



8040HL
VEST, COMBINED PERFORMANCE TAPE, NON-CERTIFIED, HOOK & LOOP



8010HL
VEST, NON-CERTIFIED, HOOK & LOOP, ECONOMY



8080BAX
VEST, X-BACK, NON-CERTIFIED, HOOK & LOOP



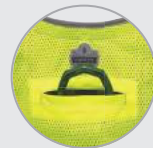
8140BA
SASH, BREAKAWAY, TYPE O, CLASS 1

GLOWEAR® HI-VIS:

CLASS 2 CATEGORY

When you're burning the midnight oil on interstate highways and byways, spelunking below the crust of the earth ferreting out the next great mother lode or fixing your burgh's energy grid during a blackout, you need to make sure you're visible. Highly visible. To avoid drama in the darkness, outfit yourself in our ANSI-compliant GloWear safety vest line and become a beacon unto others.

FALL HARNESS COMPATIBLE
BACK/SIDE D-RING SLOT



20+ TETHERING POINTS ALL
ANSI 121-CERTIFIED TO 2LBS
AND 4-FOOT MAX TETHER



8231TV

VEST, TOOL TETHERING, TYPE R, ZIPPER, DUAL COMPLIANT: ANSI/ISEA 121 AND ANSI/ISEA 107 CERTIFIED FOR DROPPED OBJECT PREVENTION AND HI-VIS COMPLIANCE



8205HL/8205Z

VEST, MESH, TYPE R, HOOP & LOOP OR ZIPPER, NO POCKETS



8216BA

VEST, BREAKAWAY, MESH, TYPE R, ID BADGE HOLDER



8217BA

VEST, BREAKAWAY, MESH, TYPE R



8220HL/8220Z

VEST, MESH, TYPE R, HOOP & LOOP OR ZIPPER, STANDARD



8225HL/8225Z

VEST, SOLID, TYPE R, HOOP & LOOP OR ZIPPER, STANDARD



8229Z

VEST, TWO-TONE, TYPE R, ZIPPER, ECONOMY



8230Z

VEST, TWO-TONE, MESH, TYPE R, ZIPPER



8235ZX

VEST, TWO-TONE, X-BACK, TYPE R, ZIPPER



8248Z

VEST, TWO-TONE SURVEYORS, TYPE R, ZIPPER



8250Z/8250ZH

VEST, SURVEYORS, TYPE R, ZIPPER / COMBINED PERFORMANCE TAPE



8253HDZ

VEST, HEAVY-DUTY MESH SURVEYORS, TYPE R, ZIPPER



8256Z

VEST, SELF-EXTINGUISHING, TYPE R, ZIPPER

GLOWEAR® HI-VIS:

CLASS 2 CATEGORY CONT.

ZIPPERED REAR POCKET
DOCUMENT/TABLET



LANYARD GROMMET
HOLES & DUAL
RADIO MIC TABS



8254HDZ
VEST, HEAVY-DUTY SURVEYORS, TYPE R, ZIPPER



6668
CHILL-ITS® COOLING VEST,
TYPE R, ZIPPER



- POLYMER-EMBEDDED COOLING TECHNOLOGY
- ANSI/ISEA 107, TYPE R CLASS 2 COMPLIANT WITH 2" REFLECTIVE TAPE FOR LOW-LIGHT VISIBILITY
- LIGHTWEIGHT & BREATHABLE MESH BOTTOM



- WHEN WET, POLYMER-EMBEDDED MID-LAYER PROVIDES HOURS OF COOLING
- SOAK IN WATER FOR 2-5 MINUTES TO ACTIVATE
- RE-WET TO REUSE



8210HL/8210Z/8210HL-S
VEST, MESH, TYPE R, HOOK & LOOP OR ZIPPER, ECONOMY, DUAL SIZE / SINGLE SIZE



SIZE S/M
INTERIOR
ELASTIC
CINCH
CORD FOR
CUSTOM FIT

8210Z-BK
VEST, MESH, TYPE R, ZIPPER,
BLACK BOTTOM, DUAL SIZE



8215BA/8215BA-S
VEST, BREAKAWAY MESH, TYPE R,
ECONOMY, DUAL SIZE / SINGLE SIZE



INTERIOR
ELASTIC CINCH
CORD FOR
CUSTOM FIT

8251HDZ-BK
VEST, TWO-TONE, TYPE R, MESH FRONT,
SOLID BACK, ZIPPER, BLACK BOTTOM,
DUAL SIZE



8246Z/8246Z-S
VEST, TWO-TONE, MESH, TYPE R, ZIPPER,
REFLECTIVE BINDING, DUAL SIZE / SINGLE
SIZE



8249Z/8249-S
VEST, SURVEYORS, TYPE R, ZIPPER,
ECONOMY, DUAL SIZE / SINGLE SIZE

SINGLE
SIZE
EXTRA LENGTH,
MORE TAILORED FIT



DUAL
SIZE
LOOSER FIT, GOOD
FOR WEAR WITH
JACKETS

PICK YOUR FIT CHOOSE SINGLE OR DUAL SIZING

SINGLE SIZE has extra length and a more tailored fit
DUAL SIZE is a looser/wider fit, good for wear with jackets

MORE SIZING OPTIONS FOR A JUST-RIGHT FIT

Word on the worksite was that hi-vis vest sizing was... inexact. Smalls were too large, larges were too small, cats and dogs living together, mass hysteria!

Well, by adding single size options to the mix, we've answered your call to accommodate those that were swimming in or squeezed by our traditional dual size options. Not too small, not too big... but juuust right. Call it the Glo-dilocks zone.

BADGE OF HONOR? THINK AGAIN

YOUR POINT OF PRIDE IS MISSING THE POINT

Too cool to wear a bright, shiny (reflective) vest on the job? Afraid you'll look too much like a wide-eyed, coffee-fetching rookie? Time for a reality check, you ol' grizzled vet you. It seems your point of pride is missing the point. If you're not seen, you're at risk. With experience comes wisdom, act like it and stay visible.



OLD "NOT SO" HI-VIS



NEW HI-VIS



NO HI-VIS:

WE'RE NOT EVEN GOING TO ENTERTAIN SUCH A LUDICROUS SCENARIO.



OLD HI-VIS:

BETTER THAN NOTHING, BUT NOTHING IS A PRETTY LOW BAR.

LIKE, THE LOWEST.



NEW HI-VIS:

HOOO-WEE! AREN'T YOU JUST AN INCREDIBLY EASY TO SPOT SIGHT FOR DISTRACTED EYES?

CUSTOM LOGO PROGRAM MAKE YOUR MARK!



HERE'S THE DRILL: CUSTOM LOGO PROGRAM

Because we have so many options and styles of products available to custom logo, we can do almost anything.

YOU GIVE US:

- Suitable digital art files or camera-ready artwork (EPS-format files work best but large, hi-res TIF or JPG files [300& dpi] work too)
- All necessary PMS/Pantone colors
- Approval of a digital mock-up

WE GIVE YOU:

A product with a look all your own. Minimums vary based on the type of product. Don't worry, it's low.

Call Ergodyne Customer Support today to answer all your custom logo questions... we'll make it easy for you to look good!



GLOWEAR® HI-VIS:

CLASS 3 CATEGORY

Our ANSI Class 3 Series is the north star of our high-visibility line. Brighter than a champagne supernova, these safety vests combine 360° of ANSI-compliant visibility with heavy-duty construction, lightweight breathable fabrics and convenient pockets. When you need maximum visibility, this is the series for you.



8346Z



8346Z



8310HL
VEST, ECONOMY, TYPE R,
HOOK & LOOP



8315BA
VEST, BREAKAWAY, MESH, TYPE R,
HOOK & LOOP



8320Z
VEST, STANDARD, TYPE R, ZIPPER



8330Z
VEST, TWO-TONE, TYPE R, ZIPPER



8346Z
VEST, TWO-TONE, TYPE R, ZIPPER

GLOWEAR® HI-VIS:

FR (CLASS 2&3) CATEGORY

If it ain't one hazard, it's the mother truckin' other. Just as soon as you stave off struck-by accidents with GloWear's eye-popping ANSI-compliant hi visibility and reflective material, sparks fly. Enter GloWear FR Class 2 and Class 3 Hi-Vis Vests. ASTM F1506-certified to squelch the danger and ensure your day doesn't go up in flames.

ONE LESS VEST TO SPEC

Why buy two vests when one will do?
The GloWear 8261FRHL Vest offers dual FR compliance against flash fire and arc flash hazards, making ordering and replacing a breeze.



FALL HARNESS COMPATIBLE
BACK/SIDE D-RING SLOT

BREATHABLE
WESTEX®
DH MATERIAL

POCKETS 20
INNER OUTER

FR RADIO MIC TAB

ANSI/ISEA 107

8261FRHL
VEST, DUAL FR COMPLIANCE, CLASS 2, NFPA 2112, NFPA 70E, SOLID, HOOK & LOOP

DUAL COMPLIANT

FR NFPA 70E CAT 1
ATPV 6.6 CAL/CM²

HI-VIS // FR CLASS 2 & 3



8263FRHL
VEST, FR, CLASS 2, NFPA 70E,
MESH, HOOK & LOOP, ECONOMY



8260FRHL
VEST, FR, CLASS 2, NFPA 70E,
MESH, HOOK & LOOP



8262FRZ
VEST, FR, CLASS 2, NFPA 70E,
SOLID FRONT, MESH BACK, ZIPPER,
SURVEYOR



8356FRHL
VEST, FR, CLASS 3, NFPA 70E,
MESH, HOOK & LOOP

GLOWEAR® HI-VIS:

PUBLIC SAFETY CATEGORY

You're protecting and serving and, for that, we thank you. Let us help you stay safe and visible while you're doing it. Our GloWear Public Safety Vests are designed for public service pros like you. With features like radio tabs, 5-point breakaway and a custom logo program to make sure the streets know who you are—we've got you covered in the line of duty.



HI-VIS // PUBLIC SAFETY



8245PSV
VEST, TYPE P, CLASS 2

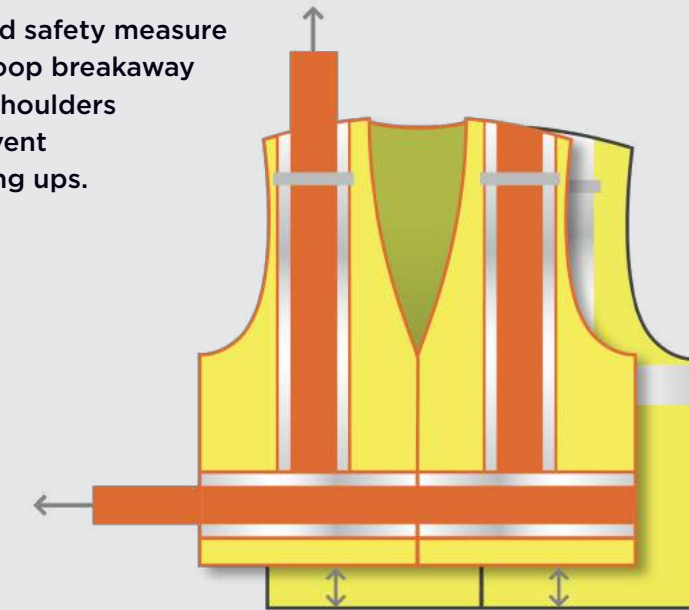


8244PSV
VEST, EXPANDABLE, TYPE P,
CLASS 2

SOMETIMES COMING UP SHORT IS A GOOD THING

Our public safety vests are designed with a shorter length for full and unobstructed access to your belt.

Plus, the added safety measure of hook-and-loop breakaway points at the shoulders and waist prevent dangerous hang ups.



GLOWEAR® HI-VIS:

SHIRTS & SWEATSHIRTS CATEGORY

Our improved and expanded Hi-Vis Shirts & Sweatshirts Series lets tenacious SOBs from any trade comfortably enter another dimension of safety. No soppy soaked cotton here, just space-age fabric that scientifically sucks away moisture and hurls it back at the cosmos and toasty fleece that keeps you warm when the mercury drops. Be safely seen, get the sweat off your back and get more done. The cosmic trifecta—now available in long sleeve.

BREATHABLE
UPF 30+

BLACK PANELING HIDES SWEAT & DIRT

POCKETS 1
OUTER CHEST

8283BK
T-SHIRT, LIGHTWEIGHT PERFORMANCE, TYPE R, CLASS 2, BLACK BOTTOM

8283BK PERFORMANCE MATERIAL IS 20% LIGHTER THAN 8280BK



8280BK T-SHIRT, PERFORMANCE, TYPE R, CLASS 2, BLACK BOTTOM
8289 T-SHIRT, TYPE R, CLASS 2
8289BK T-SHIRT, TYPE R, CLASS 2, BLACK FRONT
8295 POLO T-SHIRT, TYPE R, CLASS 2
8089 T-SHIRT, NON-CERTIFIED



8091 LONG SLEEVE T-SHIRT, NON-CERTIFIED
8293 HOODED SWEATSHIRT, TYPE R, CLASS 2, BLACK BOTTOM
8372 ZIP UP SWEATSHIRT, HOODED, TYPE R, CLASS 3, BLACK BOTTOM
8373 HOODED SWEATSHIRT, TYPE R, CLASS 3, BLACK BOTTOM
8281BK LONG SLEEVE T-SHIRT, PERFORMANCE, TYPE R, CLASS 2, BLACK BOTTOM



8291BK LONG SLEEVE T-SHIRT, TYPE R, CLASS 2, BLACK BOTTOM
8391 LONG SLEEVE T-SHIRT, TYPE R, CLASS 3

GLOWEAR® HI-VIS:

THERMAL JACKETS CATEGORY

For workers who slug it out on Thunder Road in high-risk conditions, there's no better way to get year-round visibility and comfort than by wearing one of our 4-in-1 thermal or bomber safety jackets. The contagious, confident convergence of high-level visibility and versatility is designed to match wits with winter, spring or fall. With a weatherproof shell, toasty 3M™ Thinsulate™ insulation and reflective features galore, these jackets have enough firepower to make even the nastiest midnight run seem like a walk in the park.



8377EV



8377



8287
THERMAL JACKET, TYPE R,
CLASS 2, REMOVABLE SLEEVES



8377
THERMAL JACKET, TYPE R,
CLASS 3, QUILTED BOMBER



8377EV
THERMAL JACKET, ENHANCED
VISIBILITY, NON-CERTIFIED,
QUILTED BOMBER



8379
THERMAL JACKET, TYPE R,
CLASS 3, FLEECE-LINED BOMBER



8381
THERMAL 4-IN-1 JACKET,
TYPE R, CLASS 3,
QUILTED-SLEEVES BOMBER



8384
THERMAL JACKET, TYPE R,
CLASS 3, QUILTED PARKA



8385
4-IN-1 JACKET, TYPE R, CLASS 3



8388
THERMAL 4-IN-1 JACKET, TYPE R, CLASS 3/2

WEATHERPROOF 300D OXFORD
POLYESTER OUTER SHELL WITH
BREATHABLE PU COATING



INNER JACKET WITH
100G 3M THINSULATE
AND ZIP OFF SLEEVES

- OUTER SHELL INSET HOOD
- TWO EXTERNAL FRONT POCKETS
- EXTERNAL ZIPPER CHEST POCKET
- CELLPHONE CHEST POCKET
- CLEAR ID BADGE HOLDER
- DUAL MIC TABS

GLOWEAR® HI-VIS:

PANTS, BIBS & GAITERS CATEGORY

Shine like a dime in weatherproof perfection. With eye-catching reflective, Class 3 compliance (in combo with a Class 2 top), ANSI-compliant background materials and wide legs for quick on/off convenience, these mesh-lined marvels breathe new life into hi-vis comfort.



8008
GAITERS, CLASS E



8009
GAITERS, TWO-TONE MESH, CLASS E



8910
PANTS, CLASS E



8910BK
PANTS, TWO-TONE, CLASS E



8911
PANTS, TWO-TONE, CLASS E



8925
PANTS, THERMAL, CLASS E



8928
BIBS, WEATHERPROOF, INSULATED, CLASS E



QUICK-RELEASE SUSPENDER BUCKLES

COMFORTABLE ELASTIC SIDES

PANT LEG ZIPPERS

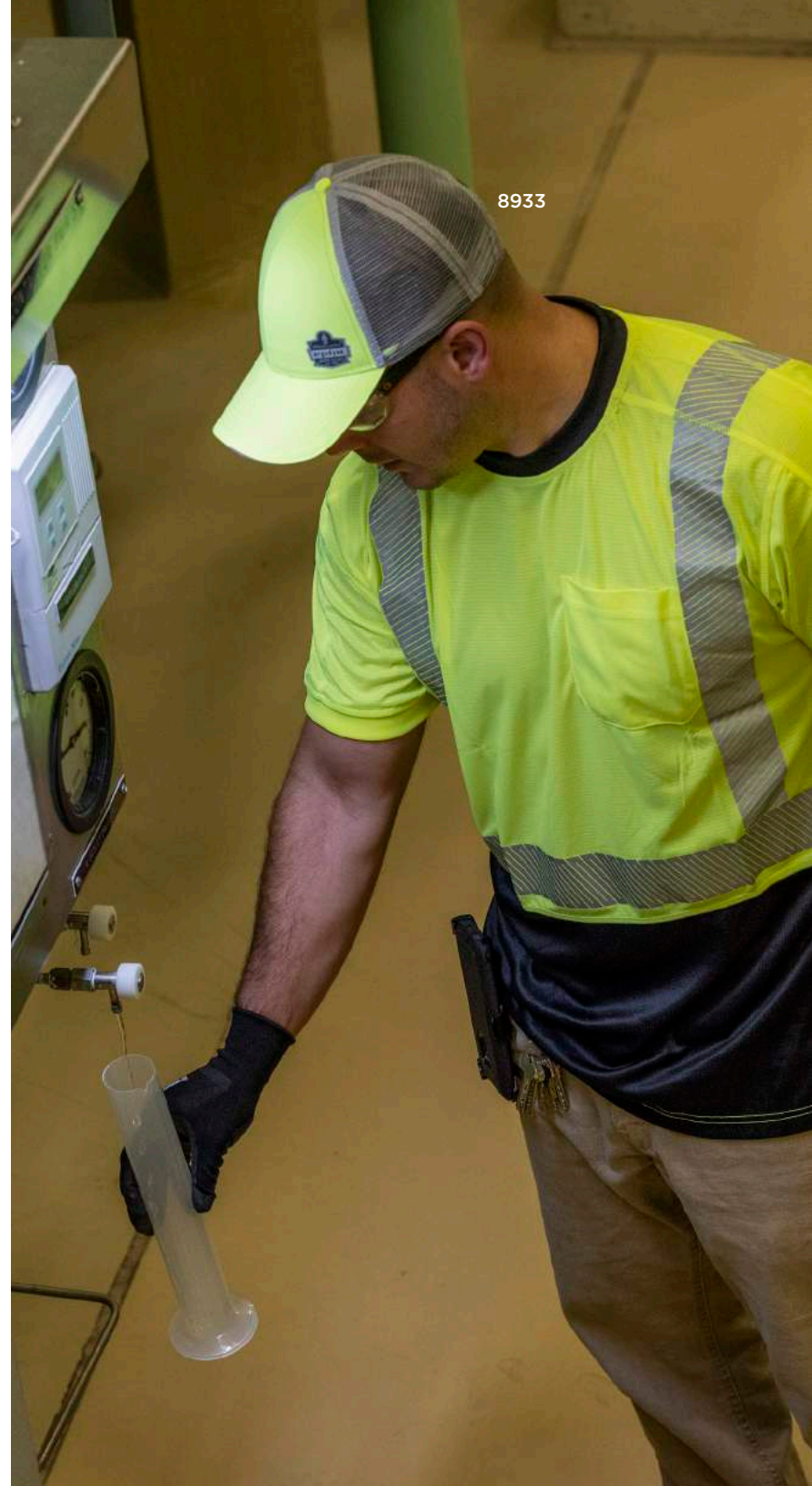
QUICK SNAP ZIPPER CLOSURES



GLOWEAR® HI-VIS:

HEADWEAR & ACCS. CATEGORY

Move over, Nadia Comaneci. When it comes to high-visibility extras, GloWear Accessories are a solid 10 on best-in-class brightness and versatility. From hi-vis hats to armbands and hard hat neck shades, these glowing add-ons complete the head-to-toe worker visibility demanded in the most challenging applications around. Give your people GloWear Headwear & Accessories and guarantee everyone in your entourage has a backstage pass to safety.



8001
ARM AND LEG BAND,
SNAP CLOSURE



8004
SEAT BELT COVER



8005
NECK SHADE, MESH,
REFLECTIVE



8006
NECK SHADE, SOLID



8930
HAT, MESH VENTING PANELS



8931
HAT, REFLECTIVE, STRETCH-FIT



8933
HAT, REFLECTIVE, SNAPBACK



8935
RANGER SUN HAT, MESH VENTING



8935MF
RANGER SUN HAT, MESH VENTING,
MICROFIBER COOLING



8935CT
RANGER SUN HAT, MESH VENTING,
PVA COOLING



6487R
MULTI-BAND, REFLECTIVE,
COOLING



6660
BRIM AND NECK SHADE,
LIGHTWEIGHT, UNIVERSAL FIT



6650
HAT, HIGH-PERFORMANCE,
COOLING



6670CT
NECK SHADE, EVAPORATIVE
COOLING, PVA

GLOWEAR® HI-VIS:

RAIN GEAR CATEGORY

Rain, rain go away. Or don't. What do you care? After all, you're blazing brightly through the storm with ANSI-compliant high-visibility and weatherproof technology proven to shed rain of all varieties... Midnight, November, Purple or otherwise. With GloWear Hi-Vis Rainwear, rainy days may still get you down—but never for the count.



8365
RAIN JACKET, TYPE R, CLASS 3,
BREATHABLE



8365BK
RAIN JACKET, TYPE R, CLASS 3,
BLACK BOTTOM



8366
RAIN JACKET, LIGHTWEIGHT,
TYPE R, CLASS 3



8376K
RAIN JACKET & PANT SUIT,
LIGHTWEIGHT, TYPE R, CLASS 3



8385
4-IN-1 RAIN JACKET,
TYPE R, CLASS 3



8386
RAIN JACKET, TYPE R, CLASS 3,
OUTER SHELL



8915
RAIN PANTS, CLASS E,
BREATHABLE



8915BK
RAIN PANTS, CLASS E,
BLACK BOTTOM



8916
RAIN PANTS, LIGHTWEIGHT,
CLASS E



8918BK
RAIN BIBS, CLASS E,
BLACK BOTTOM

THE FOUNDATION OF SAFETY

PROTECTION

PREVENTION

ELEMENTS

When it comes to laying the groundwork for safety, everything starts with PPE.

What started with one product has evolved into three full-blown pillars upon which the entire line of Tenacious Work Gear® is built; all precision crafted to provide protection, promote prevention and manage the elements for workers on jobsites the world over.



ERGODYNE TENACIOUS WORK GEAR

UTTERLY OBSESSED & INTENSELY COMMITTED TO WORKER SAFETY SINCE 1983

TENACIOUS WORK GEAR // BUT WAIT! THERE'S MORE!

PROTECTION

PREVENTION

ELEMENTS



OUR SOLUTIONS:

PROFLEX® GLOVES
PROFLEX® KNEE PADS
PROFLEX® SUPPORTS

GLOWEAR® HI-VIS APPAREL

SKULLERZ® EYE PROTECTION
SKULLERZ® HEAD PROTECTION
SKULLERZ® FACE MASKS + COVERINGS

Hard hats, hi-vis, safety glasses... these are your OGs of PPE. If it shields workers from the everyday perils of the work day, you'll find it in Skullerz®, ProFlex® or GloWear®. Multigrade dome defense and specs workers actually want to wear. Bare-knuckle banishing gloves, surgery-saving knee pads and more hi-vis than you can shake a flashlight at. Roll it all up and you've got head-to-toe coverage for every comrade in the crew.



OUR SOLUTIONS:

SQUIDS® TOOL TETHERING SYSTEMS
SQUIDS® DEVICE MANAGEMENT

ARSENAL® GEAR + TOOL STORAGE

An apple dropping off a tree during a mathematician's idyll in the English countryside is one thing. Sledgehammers plummeting forty stories onto a busy worksite is another. Those grinding it out daily on the highest and harshest know that hope and pray isn't a policy, which is why Squids® Tool Tethering Solutions and Arsenal® Gear Bags are dutifully designed for the safety of workers and equipment, the productivity of the jobsite and the banishment of accidents waiting to happen.



OUR SOLUTIONS:

CHILL-ITS® COOLING PRODUCTS

KREW'D® SKIN PROTECTION

SHAX® PORTABLE WORK SHELTERS

N-FERNO® WARMING PRODUCTS

TREX® TRACTION ACCESSORIES

You can't control the weather, but you can make sure it doesn't control crews. Batten down the hatches for earth, wind and fire with advanced Chill-Its® cooling tech, heat-trapping N-Ferno® gear, weather-withstanding SHAX® Tents and KREW'D®'s no BS SPF, all specifically engineered so that workers can go toe to toe with Mother Nature—and win.



A KLEIN TOOLS COMPANY

INTERGALACTIC HEADQUARTERS:

44° 58' 18.31" N 93° 09' 12.88" W ALT. 934 FT.
1021 BANDANA BOULEVARD EAST
SUITE 220 SAINT PAUL, MN, USA 55108
PHONE 651 642 9889 // 800 225 8238
ERGODYNE.COM

©2023 Tenacious Holdings Inc. All Rights Reserved. All Wrongs Reversed. Ergodyne, Ergoman and design, Ergodyne badge logo, E logo, Tenacious Work Gear, Be Tenacious, Arsenal, Chill-Its, DROP COPS, KREW'D, GloWear, N-Ferno, ProFlex, SHAX, Skullerz, Slips, Squids, Sticky Fingers and TREX are registered trademarks of Tenacious Holdings Incorporated and protected in the U.S. and abroad. AVC, Beverage Extrication Tool, Buddy System, CHILLX, Comfort Hinge, Drops Free Zone, DSX, Fog-Off, Hot Rox, Instrumentation Traps, Make the Workplace a Betterplace, Open-Center Stay, Orange Squad, Power Panel Positioner, Products for Occupational Athletes, QuickCuff, SOLARX, Squad Box, Storm Drains, Team Extreme, Team Tenacious, Tenacious Assault Vehicle, Tenacious Nation, Tenacious Talks, Tenacious Testers, Tenacious Toilet, Tenacious-U, Tena-Grip, Tena-Coat, Tenalux, THE NO BS SPF, Tool Tails, Tool Trap, Workday2Weekend and WSX are trademarks of Tenacious Holdings Incorporated. Trademarks of companies mentioned herein appear for identification purposes only and are the property of their respective companies. All other product names mentioned herein may be trademarks and/or registered trademarks of their respective owners. Ergodyne, Ergoman and design, Ergodyne badge logo, E logo, Tenacious Work Gear, Be Tenacious, Arsenal, Chill-Its, DROP COPS, KREW'D, GloWear, N-Ferno, ProFlex, SHAX, Skullerz, Slips, Squids, Sticky Fingers and TREX are trademarks of Tenacious Holdings Inc. (dba Ergodyne) is a Klein Tools Company.

ergodyne®

GLOWEAR® HI-VIS:
BE SEEN. FEEL HEARD.